



**WestwoodOne**

## **WEGENER i8640 DIGITAL AUDIO SERVER QUICKSTART INSTALLATION INSTRUCTIONS**

**This satellite receiver has been provided for the reception of WESTWOODONE PROGRAMMING. Once installed, please contact network support for activation and programming.**

### **INTRODUCTION**

This Quick Start guide provides direction on how to quickly set up and start operating the i8640 professional media server in order to receive WestwoodOne programming. For complete information please go to:

**[www.dg-tech.net](http://www.dg-tech.net)**

Please expedite the installation of this receiver as it must be installed and online no later than four weeks from the original ship date.

To activate this receiver, please contact WestwoodOne Network Operations Support between 8AM and 10PM ET, Monday through Friday at **(888) 435-7450**; option 1, then option 2. Our operators are available to assist with:

- Installation questions
- Technical assistance
- Authorization of the receiver after installation.

# INSTALLATION INSTRUCTIONS

- 1) This receiver should be installed in a location that maintains a consistent temperature of 65-75 degrees with ample ventilation to the front, sides and rear of the receiver.
- 2) Connect your RG-6 cable from your satellite dish to the RF input (ANT IN) on the back of the receiver. If more than one receiver is to be connected, a professional grade splitter with a DC power pass port is recommended.
  - a. Note: In a multi-receiver installation, it is recommended to use a professional power inserter and not to power your LNB from the Wegener receiver.
- 3) Connect your stations broadband network (internet) to the receiver at the LAN port.
  - a. Note: A reliable network connection is **required** to maintain a network "return path" communication with our network in order to ensure proper functionality of the receiver. This is an outbound communication only and must be maintained at all times. Because of this requirement, we are unable to authorize equipment not connected with this "return path". If your station does not have public internet access, please contact Network Operations for assistance.
- 4) Connect the in-house AM and/or FM signal antenna or an independent AM/FM antenna to AM and/or FM input(s).
  - a. Note: This is a **required** connection and must be maintained at all times.
- 5) Connect your DB9 audio and DB37 relay connectors to the ports corresponding with the programs identified on page 1 of this document.
- 6) Plug the receiver into a reliable, stable and properly grounded power source.
  - a. Note: Wegener and WestwoodOne strongly recommend that you use an Uninterruptible Power Supply (UPS) with power line filtering to prevent damage to the unit during electrical storms or power surges. Please be aware that electrical damage caused by lightning or power surges is not covered under the warranty. RF surge filtering is also strongly recommended for this reason.
- 7) Verify your dish alignment and signal strength by looking at the EbNo and RF levels via the front panel display. EbNo must be at least 9.0 and RF between 20-60 in order to authorize the receiver.
  - a. Note: A distribution amplifier is not recommended for main cable runs less than 250 ft. If amplification is necessary to attain minimum specs, a line amp ahead of the splitter yields more favorable results.
  - b. Note: Line attenuators to drop RF to within maximum RF levels should be used sparingly to avoid unnecessary noise injection.
- 8) Once all connections are made, and levels meet minimum specifications, please contact WestwoodOne Network Operations for authorization.



### Common Front Panel Operations

#### To setup IP address:

- 1) Use the left/right arrow keys to locate Unit Setup, press ENT
- 2) Locate IP Setup, press ENT
- 3) Locate LAN IP Settings, press ENT
- 4) Press ENT again to unlock (STATIC or DHCP will flash)
- 5) Use left/right arrows to select STATIC or DHCP then press ENT to lock in
- 6) Use the left/right arrow keys to view IP, NetMask & Gateway addresses
  - a) To change the STATIC IP address, press ENT to bring cursor up
  - b) Use up/down arrow keys to edit digits
  - c) Use left/right arrow keys for next digit, press ENT when done to lock in

#### To change Carrier Frequency manually:

If access to this field is denied Contact Network Operations Support at 888-435-7450 option 1, then option 2, for further assistance.

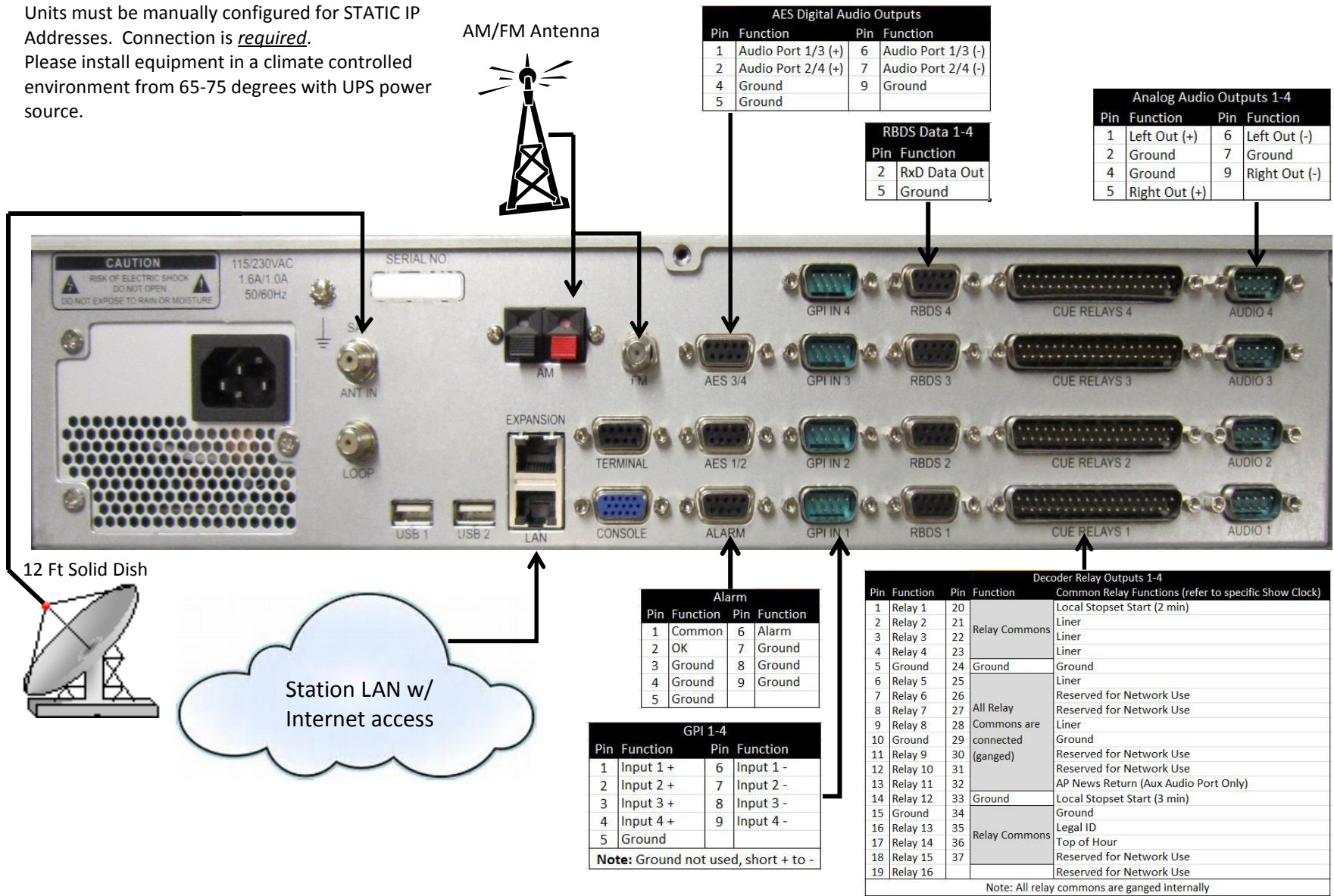
- 1) Use the arrow keys to find Unit Setup, press ENT
- 2) Locate Transport In Setup, press ENT
- 3) Locate Current Channel, press ENT
- 4) Locate Download Frequency, press ENT
  - a) To change Frequency, press ENT to bring cursor up
  - b) Use up/down arrow keys to edit digits
  - c) Use left/right arrow keys for next digit, press ENT when done to lock in

**For technical assistance call:  
(888) 435-7450, option 1 then  
option 2**

#### **WARNING**

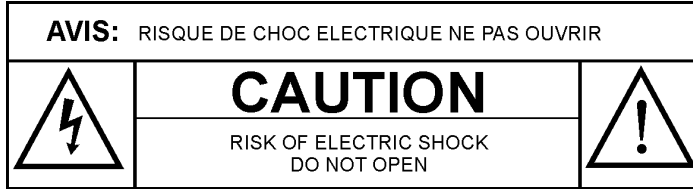
Removable hard drives are **NOT** hot swappable and damage will occur if removed while the unit is powered up. Please contact our support hotline for directions should service become necessary.

Notes: Equipment is shipped with network interfaces set for DHCP IP address assignment. Units must be manually configured for STATIC IP Addresses. Connection is required. Please install equipment in a climate controlled environment from 65-75 degrees with UPS power source.



## Safety Summary

The iPump i8640 is designed for safe use with few special precautions required of the user. The following items are basic precautions to use when installing and working with the iPump i8640: Do not open the iPump i8640's chassis cover as this will void the limited product warranty.



## Location and Mounting

The iPump i8640 should be mounted in a standard 19-inch equipment rack. After mounting, maintain a clean, dry environment for the unit.

### Precautions

#### **WARNING**

**This is a Class A product. In a domestic environment this product may cause radio interference for which the user may need to take mitigating action.**

#### **DANGER**

To avoid damage to this and other equipment, or personal injury, the following items should be strictly observed.

#### **Elevated Operating Ambient**

When equipment is installed in a closed or multi-unit rack assembly, the operating ambient temperature of the rack environment may be greater than the room ambient temperature. Therefore, consideration should be given to the ambient air temperature within the rack, and not just inside the room, when deciding if the maximum recommended ambient operating temperature (TMRA) is being met.

#### **Reduced Air Flow**

Equipment should be installed such that airflow required for safe operation of the equipment is not compromised. Units may be stacked with other rack-mount equipment without gaps. However, to ensure adequate air flow, leave rear and front vents unobstructed. Providing 1/2 inch clearance for the right side air vents results in a longer product life for the iPump 8640.

#### **Mechanical Loading**

Mounting of the equipment in a rack should be such that a hazardous condition is not produced by uneven loading. This unit is not very heavy, but total rack loading must be considered. Also, do not rest any unsupported equipment on the iPump 8640.

#### **Circuit Overloading**

Consideration should be given to the connection of the equipment to the supply circuit and the effect that overloading of circuits could have on over-current protection and supply wiring. Ensure that the total rack or breaker power consumption does not exceed the limits of the ac branch circuit. Appropriate consideration of equipment ratings should be used when addressing this concern.

## **DANGER**

### **Reliable Earthing**

Reliable earthing of rack-mounted equipment should be maintained. Particular attention should be given to supply connections other than direct connections to the branch circuit (use of power strips, chassis ground lugs, etc.).

### **Lithium Battery**

Proper disposal and replacement of the motherboard's lithium battery is necessary. Replacing the battery with an incorrect type presents the risk of explosion. Dispose of used batteries according to the package instructions.

### **Telecommunication Line Cord**

To reduce the risk of fire, use only No. 26 AWG or larger telecommunication line cord.

### **Rack Installation Procedure**

The iPump i8640 is sized at 2 RU and will fit an EIA-standard, 19-inch-wide equipment rack.

- 1) Install angle brackets or cross-supports capable of supporting both the unit and its connecting cables. Screw or bolt the supports securely to the equipment rack.
- 2) Place the iPump 8640 on its supports and use four anchor screws or bolts and nuts to secure the unit's front brackets to the rack.

## **WARNING**

Do not block any of the ventilation or fan opening on the front, side, or rear of the unit. Support arrangements that do not allow adequate air flow or which block the openings on front, side and rear vents may result in overheating and damage to the iPump 8640.

## **WARNING**

The front brackets must be secured to the rack. If front brackets are left unsecured, the unit may shift forward and fall from the rack during installation or operation. Failure to secure the front brackets may result in personal injury and/or damage to the equipment.

## **WARNING**

Locate the iPump 8640 and its cables to avoid impacts, spills, and pulling cables and to ensure sufficient air flow. Failure to locate the iPump 8640 in a proper environment may result in damage to the equipment.

## **WARNING**

The hard drives are **NOT** hot swappable and permanent damage will occur if removed while the unit is powered up. Please contact our support hotline for directions if service becomes necessary.